



PICOTOPE

3 GALLON CURVED GLASS

OWNER'S MANUAL



TRANSWORLD AQUATIC ENTERPRISES INC.

TABLE OF CONTENTS	
Important Safety Instructions	3—5
Picotope Parts View	6—9
Introduction	10—11
Getting Started	12
Lighting	13
Maintenance Procedures	14-15
Maintenance Log	16-18
Warranty Information	19
Notes	20-21

WARNING

To guard against injury, basic safety precautions should be observed, including the following:

READ ALL SAFETY INSTRUCTIONS BEFORE USE.

DANGER

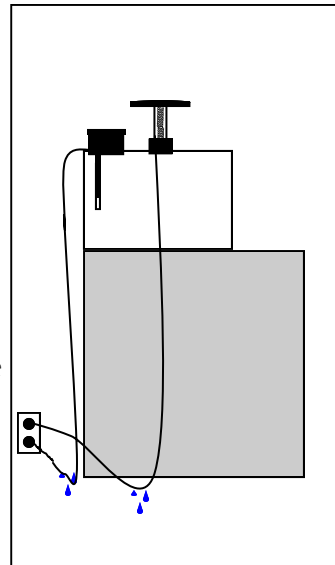
To avoid possible electric shock, special care should be taken since water is employed in the use of aquarium equipment. For each of the following situations, do not attempt to repair yourself: return the appliance to an authorized service facility for service or discard the appliance.

A. If the appliance falls into water, DON'T reach for it! First unplug it and then retrieve it. If the electrical components of the appliance get wet, unplug the appliance immediately.

B. Carefully examine the appliance after installation. It should not be plugged in if there is water on parts not intended to be wet.

C. Do not operate any appliance if it has a damaged cord or plug, or if it is malfunctioning or if it is dropped or damaged in any manner.

D. To avoid the possibility of the appliance plug or receptacle getting wet, position aquarium stand and tank to one side of a wall mounted receptacle to prevent water from dripping onto the receptacle or plug. A "drip loop", shown in the Figure at the right should be arranged by the user for each cord connecting an aquarium appliance to a receptacle. The "drip loop" is that part of the cord below the level of the receptacle or the connector if an extension cord is used, to prevent water travel along the cord and coming in contact with the receptacle. If the plug or the receptacle do get wet, DON'T unplug the cord. Disconnect the fuse to the circuit breaker that supplies power to the appliance. Then unplug and examine for the presence of water in the receptacle.



PICOTOPE Important Safety Instructions

- E. Close supervision is necessary when any appliance is used by or near children.
- F. To avoid injury, do not contact moving parts or hot parts such as heaters, reflectors, lamp bulbs, and etc.
- G. Always unplug an appliance from the outlet when not in use, before putting on or taking off parts, and before cleaning. Never yank the cord to pull plug from the outlet. Grasp the plug and pull to disconnect.
- H. Do not use an appliance for other than intended use. The use of attachments not recommended or sold by the appliance manufacturer may cause an unsafe condition.
- I. Do not install or store the appliance where it will be exposed to the weather or to temperatures below freezing.
- J. Make sure an appliance mounted on a tank is securely installed before operating it.
- K. Read and observe all the important notices on the appliance.
- L. This Appliance has a polarized plug (one blade is wider than the other). As a safety feature, this plug will fit in a polarized outlet only one way. If the plug does not fit fully in the outlet, reverse the plug. If it still does not fit, contact a qualified electrician. Never use with an extension cord unless plug can be fully inserted. Do not attempt to defeat this safety feature.
- M. This appliance is intended **FOR HOUSEHOLD USE ONLY**. Do not use or mount this appliance in such a way that the top vents are restricted or blocked. These vents are necessary to avoid over-heating and insure safe operating temperature.
- O. Make sure that the appliance is set on a level surface to prevent undue stress on the aquarium tank from stress and leaks. It is not recommended that this appliance is set upon coffee tables, end tables, T.V. stands, or night stands unless the structure has been properly tested to within the weight limits of the aquarium.

PICOTOPE Important Safety Instructions

CLEANING

It is important to keep this appliance clean. Always unplug the appliance before performing maintenance or cleaning of the exterior of this hood. Wipe exposed surfaces carefully with a damp terrycloth to remove any dust or mineral deposits which may collect over time. Make sure all surfaces are dry before re-plugging into an electrical outlet. To prevent scratching the aquarium, use a damp terrycloth when cleaning. Never use algae scrapers, scouring pads, razor blades, glass cleaner or other such abrasives.

SERVICING

In order to assure proper electrical connections and polarity, replacement parts and servicing should be performed only by a qualified electrician.

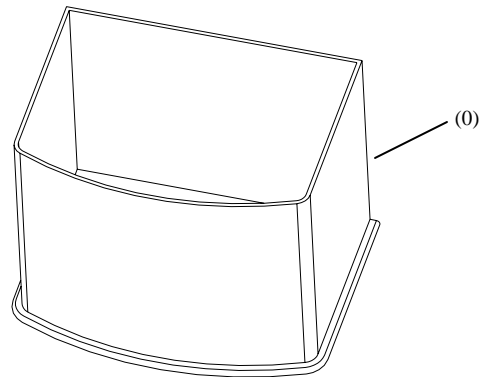
OPERATION

Please carefully read the entire "Owner's Manual" for proper operation procedures before proceeding with turning on this appliance and adding livestock such as fish, corals, and invertebrates.

SAVE THESE INSTRUCTIONS

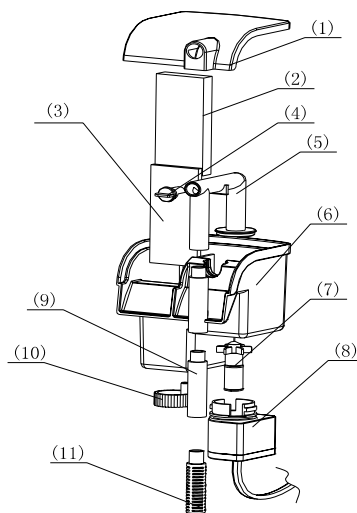
PARTS EXPLODED VIEW & IDENTIFICATION

3 GALLON CURVED GLASS—STARTER TANK



PARTS EXPLODED VIEW & IDENTIFICATION

PICO FILTER



3 GALLON CURVED GLASS**REPLACEMENT PARTS LIST & DESCRIPTION**

PART	#	Name
MX-30-0		Tank Only
WF-2015	1	Filter Box Cover
WF-2015	2	Mechanical Sponge
WF-2015	3	Biological Sponge
WF-2015	4	Flow Valve
WF-2015	5	Intake Tube Elbow
WF-2015	6	Filter Box
WF-2015	7	Impeller / Magnet Assembly
WF-2015	8	Motor
WF-2015	9	Extension Tube
WF-2015	10	Filter Brace
WF-2015	11	Strainer

REPLACEMENT PARTS LIST & DESCRIPTION

PART	#	Name
CL-609	T	Light top Cover
CL-609	1	Aluminum Reflector
CL-609	2	Lamp Clip
CL-609	3	CF Lamp
CL-609	4	Lamp Cover
CL-609	5	Screws
CL-609	6	Telescoping Arms
CL-609	7	Spiral Cord
CL-609	8	Switch Cover
CL-609	9	Switch
CL-609	10	Clamp Base
CL-609	11	Clamp Base Bottom Cover
CL-609	12	Magnetic Power Supply



BIGGER ISN'T ALWAYS BETTER!

Thank you for purchasing the JBJ 3 Gallon Curved Glass PICOTOPE. This beautiful glass desktop is an excellent starter tank that offers rounded glass corners for panoramic viewing, beveled glass bottom, a 9 watt 50/50 Clamp on Lamp, and Pico Powerfilter. The PICOTOPE is sure to add a touch of elegance and style to any room it enters!

JBJ ILLUMINATION SYSTEM

Our unique Clamp on Lamp fixture hangs on the back wall and can be positioned UP, DOWN, and even FORWARD to find that perfect illumination spot to view your favorite live animal. This energy saving JBJ Compact Fluorescent fixture contains a 9 watt 50/50 lamp with a remote ballast for a cooler running pico environment



Advanced Features:

- Telescoping Arms
- Adjustable light hood
- Space-saving Design
- Remote Ballast
- 2-in-1 Lamp (blue & white)
- Energy Efficient

Our illumination system is the ideal choice to house:

- A. Freshwater Fish
- B. Invertebrates
- C. Mushrooms
- D. Zooanthids
- E. Live Rock

SPECIFICATIONS

Power: 9 Watt

Model: CL-609

Kelvin (lamp color): 50/50 CF Lamp (Half 7100K Blue/Half 10K White)

Ballast Type: Magnetic / Remote

Tank Dimensions: 11.8" x 8.9" x 8.1"

Capacity: 3 US Gallons

CRYSTAL CLEAR CURVED GLASS

The PICOTOPE starter aquarium offers panoramic viewing with smooth rounded corners for maximum viewing and enjoyment.

PICO POWERFILTER

The PICO Powerfilter is a revolutionary innovation that offers the same 3 stage filtration commonly designed for larger filters in a space-saving hang-on design.

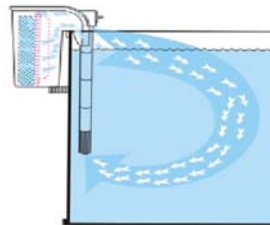


- Pumps are integrated and do not require assembly.

All models include the following:

1. **Mechanical Filtration**
Black filter sponge traps free floating particulate matter and debris.
2. **Chemical Filtration**
Activated Carbon Bag removes dissolved organics and odor.
3. **Biological Filtration**
White sponge offers maximum surface area to colonize beneficial bacteria to remove harmful toxins.

Filtration Water Flow Pattern



FILTER SPECIFICATIONS

Model: WF-2015
 Voltage: 115V
 Power: 6 Watts
 GPH: 40 gph
 Dim: 3.3" x 3" x 4"

Note:

Always fill PICO Powerfilter with water before plugging into an approved 115V outlet. Pump may need 30 seconds to 1 minute to prime and start filtering. If pump does not start, add more water into rear of filter with a cup.

HANDLING PRECAUTIONS

Never attempt to move a full or partially full PICOTOPE.
Never lift by grabbing the aquarium walls.
Never use cleaners that contain ammonia to clean the glass surfaces.
Always lift and carry the PICOTOPE from underneath giving support to the bottom at all times.

CHOOSING A LOCATION

Find a leveled surface that can support the weight of the tank, water, and livestock. An average aquarium can weigh 10lbs per gallon once filled with water, rock, gravel, and other accessories.

Do not place in direct sunlight to prevent excessive algae growth and higher water temperatures.

FILLING THE TANK

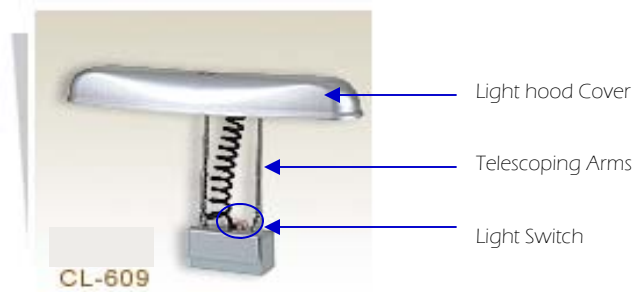
Always dechlorinate tap water before adding into the aquarium.
Always fill with room temperature water.
Rinse Activated Carbon which is located in the rear filter compartment under the sink for 30 seconds or until water runs clear.
Fill the main body of the PICOTOPE until water reaches the bottom of the clamp for the light fixture. Once PICOTOPE is filled, plug PICO powerfilter power cord into an approved electrical outlet with a fuse or circuit breaker.
Once filter is on, water will enter intake strainer through the filtration media and return back into the tank.

ADDING A HEATER (not included)

If you wish to keep tropical (warm water) fish you will need a submersible heater to maintain optimal water temperatures to simulate their natural environment. Most tropical fish will need a temperature range between 74-78 F for optimal living conditions.

A heater can be placed in the main body of the PICOTOPE behind accessories such as decorations, plants, or rocks.
We recommend a small 100% submersible 25-50 watt heater if necessary.

Note: Evaporation occurs faster in smaller tanks that have open tops. Please check water level regularly to ensure filter is functioning properly



TURNING ON YOUR LIGHTING SYSTEM

Your PICOTOPE is pre-installed with a dual color lamp that offers day-light and blue actinic light in one compact design.

A. Plugging the Remote Ballast

1. Plug power-cord from the remote ballast into an outlet strip that is properly approved and equipped with a fuse or circuit breaker.
2. Press the switch located on clamp portion of the light fixture to "ON" position to turn on compact fluorescent lamp.

* We recommend you keep a photoperiod of 8-10 hours per day to replicate a natural cycle that your livestock has grown accustomed to.

ADJUSTING THE TELESCOPING ARMS

Your PICOTOPE has an innovative set of telescoping arms that can be extended and retracted to meet your specific lighting needs. The telescoping arms can be adjusted 180 degrees from front to back.

Please careful not to handle the fixture during operation. Light fixture may be warm to hot and should not be adjusted until time has been allowed to properly cool down.

Never allow water contact on any part of the Clamp on Lamp. Never service the light fixture while fixture is plugged into an electrical socket.

Regular maintenance is the key to a successful thriving aquarium. Maintaining an aquarium can be very easy with a regular cleaning schedule.

WATER CHANGES

- A. Water changes should be carried out on monthly to bi-monthly schedule depending on how much bio-load is kept.
- B. 25% water changes with gravel vacuuming is essential to keep dissolved organic carbons to a minimum.

REPLACING THE BLACK FILTER SPONGE

- A. Filter Sponge should be changed on a monthly basis to remove trapped debris and free floating particulate matter.

REPLACING THE ACTIVATED CARBON

- A. Activated Carbon adsorbs dissolved pollutants and removes the yellow discoloration of water and associated odors.
- B. Replace Activated Carbon Bag on a monthly basis.

REPLACING THE WHITE BIOLOGICAL FILTER SPONGE

- A. Biological sponge should not be removed as it houses the beneficial nitrifying bacteria for removal of ammonia and nitrite.
- B. This sponge does not need to be changed.

NOTE

Pico Filter should always be unplugged before changing media. Remove filter top cover and change media.

Always remember to fill up Pico Filter with water before plugging back into an electrical wall outlet.

SAFETY

Always disconnect the power supply from the wall outlet when performing lamp changes

CHANGING THE LAMP

Your PICOTOPE is installed with the following:

Model	Bulb Item #	Description	Kelvin
MX-30 3 GALLON PICOTOPE	B9-BW10K	9 Watt Compact Fluorescent Lamp	Half 10K Daylight/ Half 7100K Actinic Blue

We recommend replacing lamps every 9-12 months due to a decline in intensity which is vital for corals and invertebrates. Spectral shifts may also occur that may lead to undesirable algae growth.

Removing the lamp from fixture

1. Unclamp the light fixture from the tank rim.
2. Lay light fixture down on a leveled surface and unscrew light cover.
3. Unclip lamp from bulb clips.
4. Unplug the (2) female wires from the male pins at the base of the lamp.
5. Re-insert new replacement lamp and reconnect wires, place into bulb clips, and screw on light cover.

WARRANTY INFORMATION

6 Month Limited Warranty

This Picotope aquarium is warranted to the original purchaser against defective material and workmanship for 6 months from the date of original purchase. This warranty is valid only under the following conditions: additions, modifications, or changes made to the product by the purchaser and not by the manufacturer shall void this warranty. Damages brought on by abuse, misapplication, or mishandling also voids this warranty. Aquariums must be placed on leveled surfaces or stands designed specifically for the Picotope.



This warranty is limited to the repair or replacement of the product at the discretion of the manufacturer. This warranty does not cover personal injury, property loss, including livestock or damage (direct, incidental, or consequential) arising out of use of this product. This warranty gives you specific rights and you may also have other rights, which may vary from state to state.

Upon discovery of a defect, please call us to obtain an RMA #.

Tel: (310) 672-4099 / Tel: (310) 672-4021
 All claims should be sent prepaid to the following address:
Transworld Aquatics Enterprises, Inc.
3730 Unit 3, West Century Blvd.
Inglewood, CA 90308

Customer Service Information

For additional information or technical assistance please call us at (310) 672-4099, M-F from 9AM-5PM (Pacific Standard Time).

PICOTOPE Notes

PICOTOPE Notes

PICOTOPE Notes

PICOTOPE Notes



Transworld Aquatic Ent., Inc

3730 West Century Blvd, Suite 3
Inglewood CA 90303

Phone: 310-672-0480
Fax: 310-672-7261
E-mail: sales@bjlighting.com